

AQUAUTO™ DRAIN VALVE

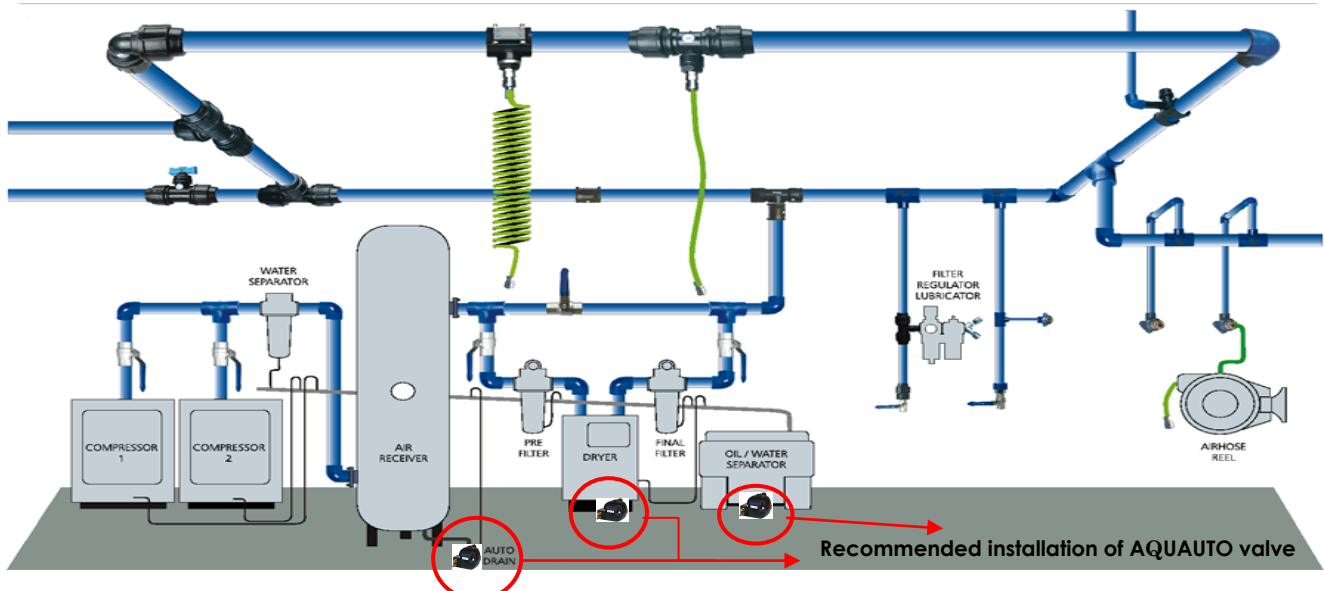
Air saving and green energy solution on compressed air system condensation issue

Product Features

- ✓ Removes condensate automatically from compressed air systems without using electricity – No operating cost – Reduce cost
- ✓ 6 mm orifice, offering an increased reliability factor.
- ✓ Easy and quick to install and service
- ✓ No complicated external control air balance line required
- ✓ Competitive 'true green' solution
- ✓ Condensate viewing sight port optionally available
- ✓ Operating pressure up to 16 bar
- ✓ Reduced stocking costs - 1 model covers 100 m³/min
- ✓ Integrated strainer
- ✓ Suitable for any type of compressed air system
- ✓ No complicated sizing charts required
- ✓ Top and side inlets available
- ✓ TEST feature and Manual override
- ✓ Offers an IP 68/NEMA 6 rating for demand in higher IP Rating
- ✓ Robust aluminium housing
- ✓ `Direct acting valve construction for a reliable condensate discharge operation.



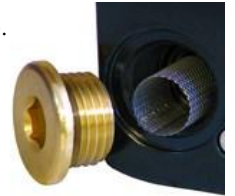
Typical setup of compressed air system



Specifications

| | |
|-----------------------------|---------------------------------------|
| Maximum compressor capacity | 100 m ³ /min. |
| Pressure range | 3 - 16 bar |
| Valve type | Direct acting |
| Valve orifice | 6 mm |
| Valve seals | FPM |
| Inlet connections | 1/2" (BSP or NPT), 3 inlet options |
| Inlet height | 12 cm (top), 9.7 cm and 1.5 cm (side) |
| Outlet connection | 1/4" BSP with hose pipe connector |
| Medium temperature | 1 - 50 °C |
| Ambient temperature | 1 - 50 °C |
| Serviceable valve | Yes |
| TEST feature | Yes |
| Condensate sight port | Yes, optionally available |
| Integrated mesh strainer | Yes |
| Housing material | Corrosion resistant aluminium |
| Ingress Protection | IP 68/NEMA 6 |

Integrated strainer to protect the valve.



Multiple input port (Top or Side) for flexible installation

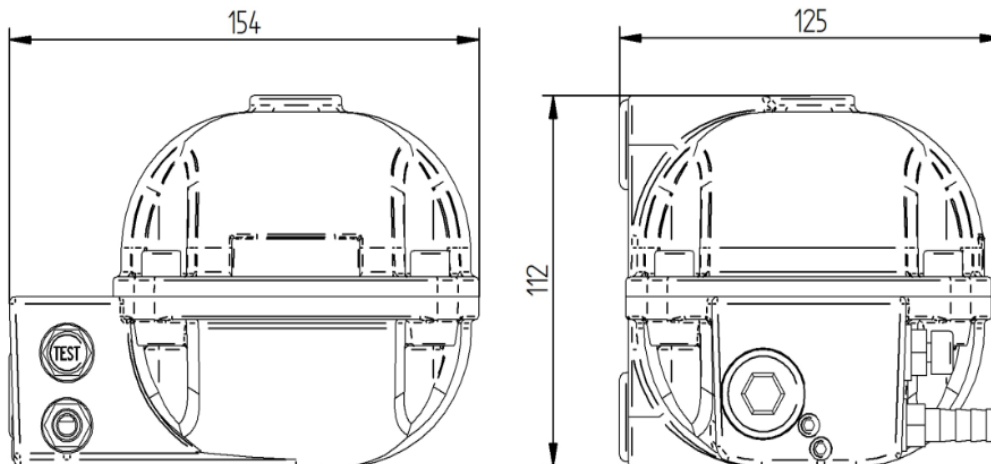


TEST or MANUAL OVERRIDE button for easy maintenance



Optional Strainer Ball valve for maintenance online
Selection code - 01

Dimension (mm)



ORDERING CODE:

AQUAUTO A1603T-00



- 00 – Standard
- 01 – with Strainer Ball valve
- 02 – with Sight port
- 03 – with option 01 & 02

Distributed by:

For further information,
contact us at
support@valva.com.sg